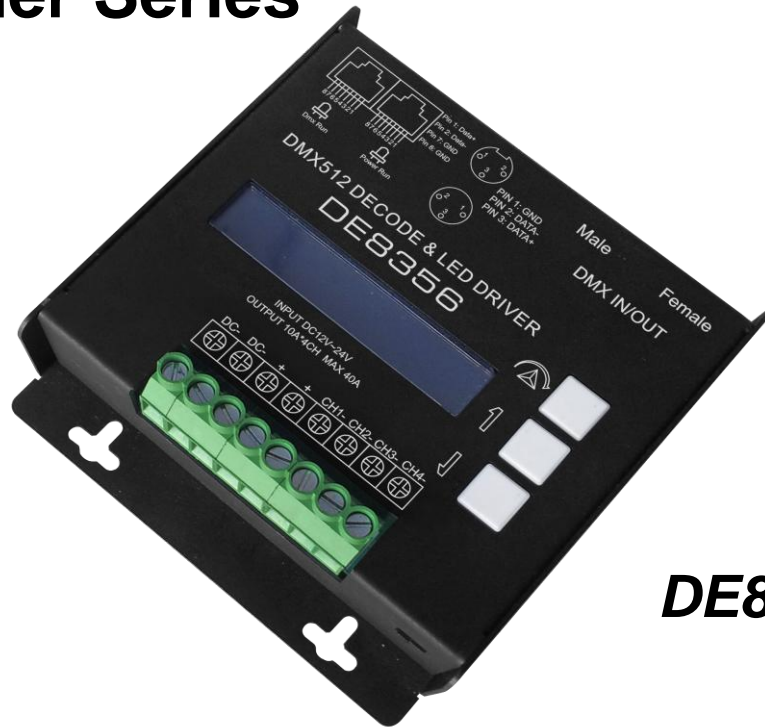


DMX Decoder Series



DE8356

SUMMARIZE:

Thank you for using DMX512 Decoder series. It adopts the advanced micro-computer control technology, it converts the DMX-512/1990 standard digital signal adopted widely in international to the analog control signal. Output 1~4 Channels for option and each channel able to achieve 256 levels of brightness controlling, and also it can be used as the connector of PC digital-light controller and analog light modulator. It is mainly used for the controlling of buildings & lights applied LED.

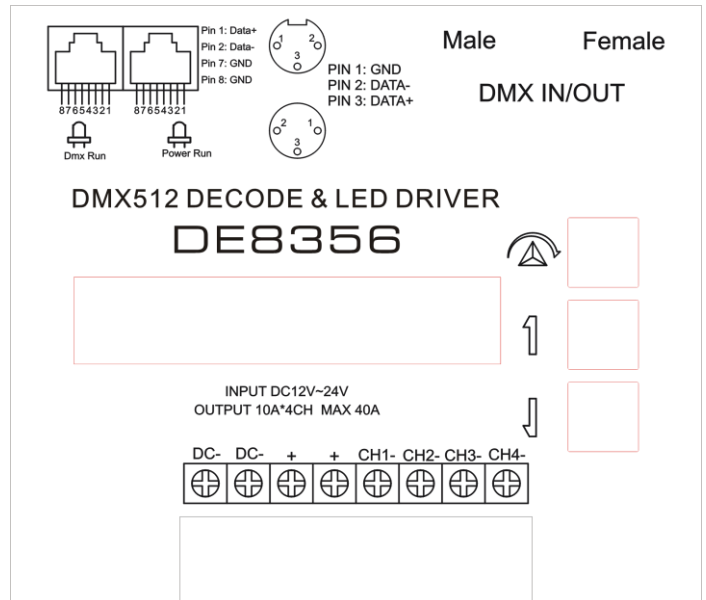
Features:

- ◆ Meets DMX512/1990, with RJ45 interface and XLR to choose.
- ◆ 256-levels brightness, full-color with driver controls.
- ◆ Power without flashing, smooth at low.
- ◆ 4 ways of output channel, single channel maximum 10A output drive, total output is less than 40A.
- ◆ Can achieve asynchronous color changes effect under working with controller.
- ◆ With the light color selected mechanism, and be able to control the light with 1~4 colors.
- ◆ Setting the DMX address freely by LCD screen display.
- ◆ Can be matched with different LED module neatly.
- ◆ Custom-made.

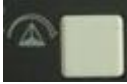

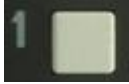


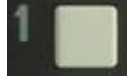

Tech-parameter:

Input: DC12-24V	Output: MAX 40A	Control channels: 4CH
MAX Power: 480W(12V)/960W(24V)	Frequency: 5000HZ	
Signal Input: DMX-512/1990 Digital signal	Connection: RJ45&XLR Interface	
Work Temp.: 0~70°C	The light gray level: 256	Protection grade: IP40
Gross Weight: 220g	Product size: L120*W105*H39(mm)	Packing: 30pcs/Carton
/Custom-made		

Product instructions:

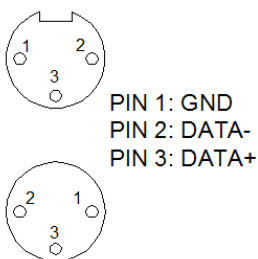


Product panel operating instructions, can

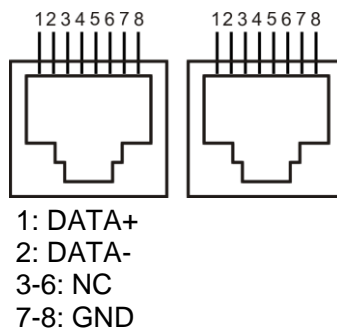
through LCD screen display to show the program, switching menu options through mechanical switches, Press  button, Recall the first program menu, through ,  up or down to choose the function. Press  to confirm. Setting the DMX address and dimming the lighting can press ,  to adjust. If don't have any operating within 5s, the LCD screen will be locked, if need to unlock, please press  button to unlock.

DMX512 Signal input interface:

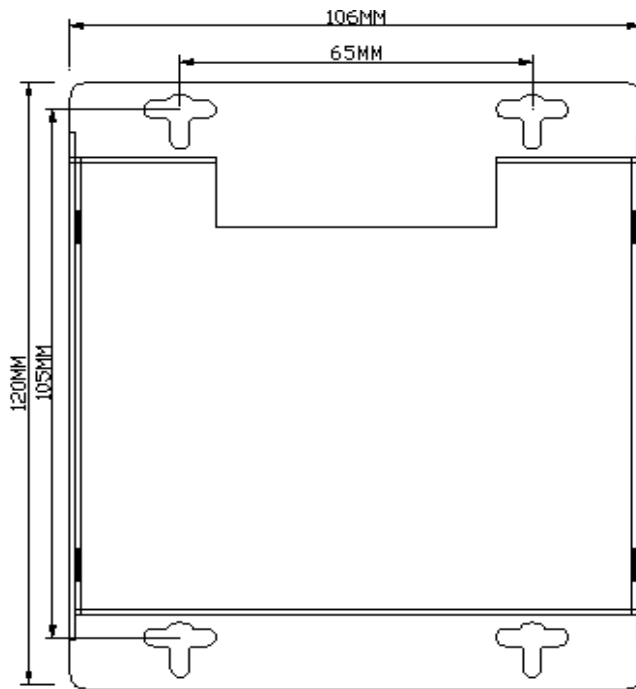
XLR Interface



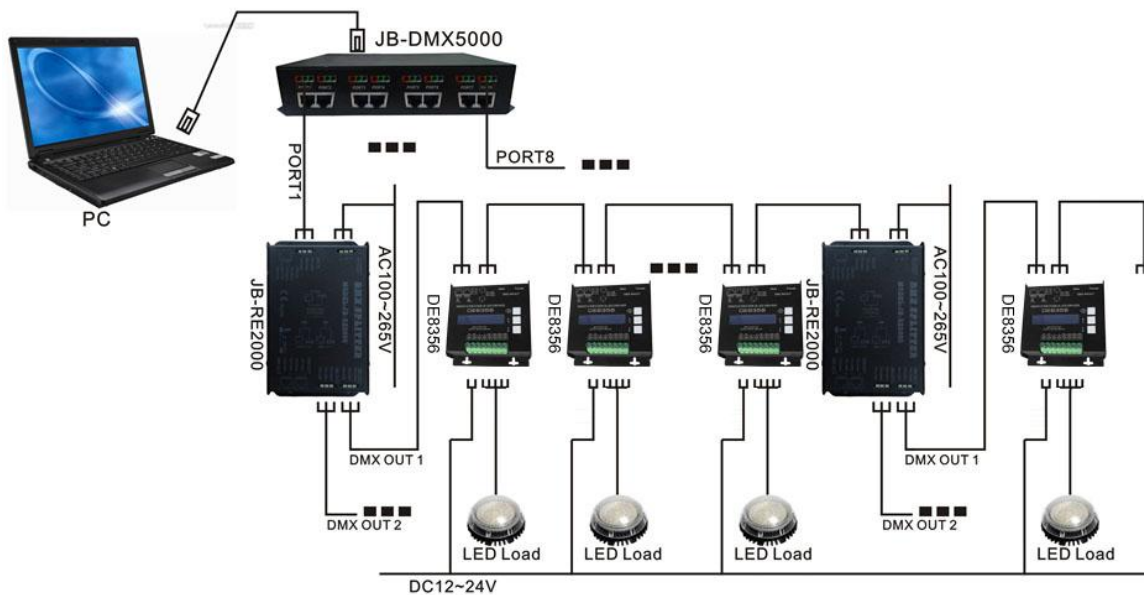
RJ45 Interface



Product Size:



Wiring Diagram:



DMX-512 control signal connection

- ◆ DMX signal cable is made of twisted pair (line), DMX signal includes positive and negative end, in pressure welding DMX signal line plug should pay special attention to polarity. DMX512 controller output signal positive, signal negative, signal ground with DE8356 input interface corresponding connection.
- ◆ DMX5000 output and DE8356's transmission lines can't be over 300 meters.
- ◆ DMX5000 each interface can with not more than 170 pieces of DE8356. Eight output interface. Through the JBLED FLASH light making software and can with computer on line control. Realize infinite contact the DMX lights.
- ◆ When connected 32 pieces of DE8356, DMX signal must add a signal amplifier RE2000 . Cascade can't more than 4 PCS.